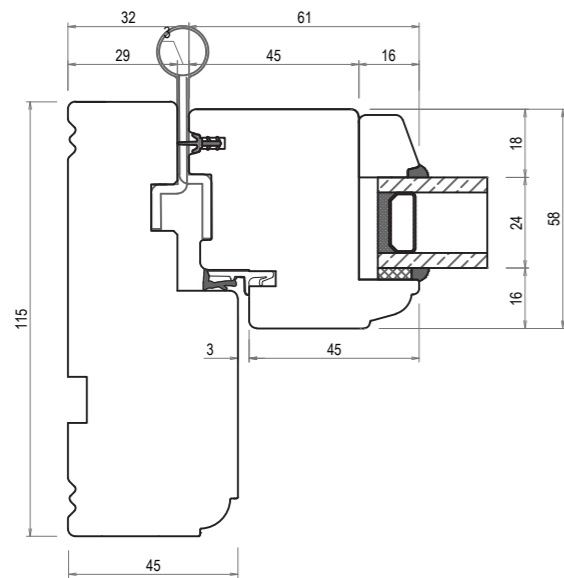
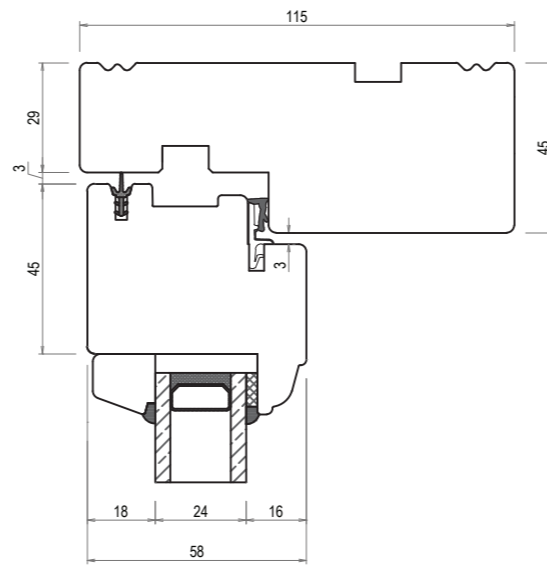


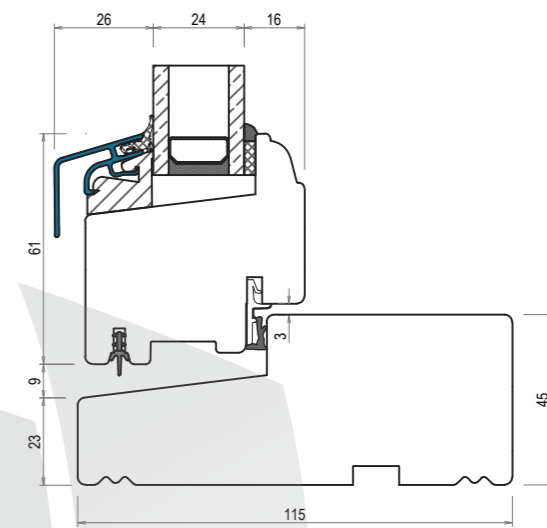
F-F



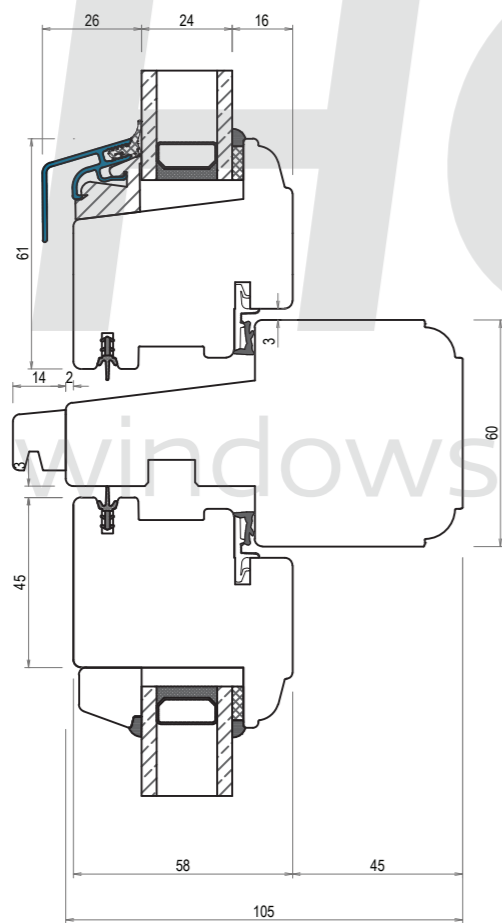
G-G



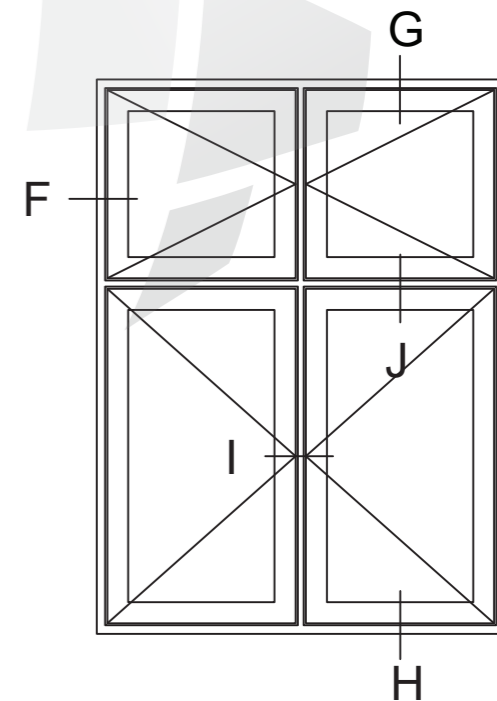
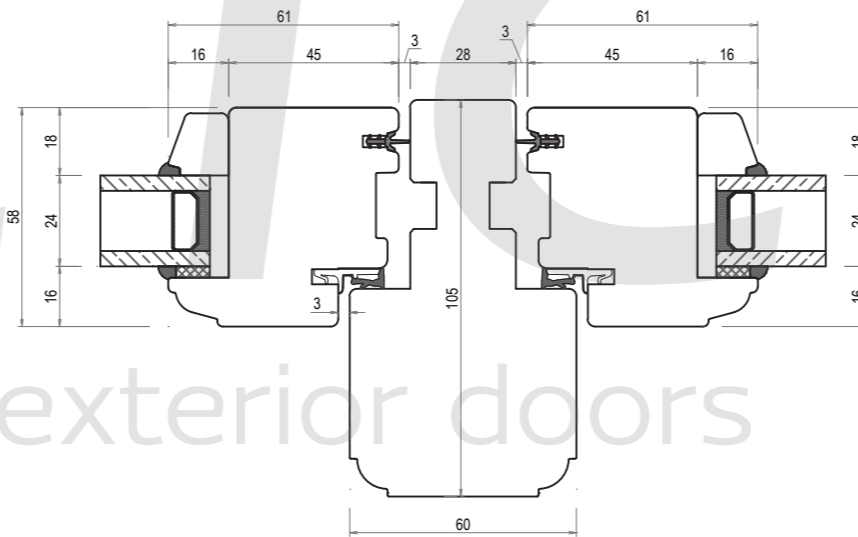
H-H



J-J



I-I



Drawing nr.:

Date:

TYPE:

D'Lux

Lango pjūviai